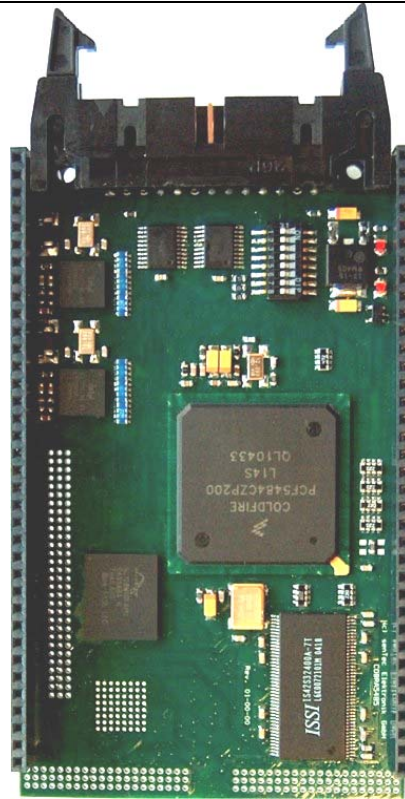


COBRA5485 Embedded Processor Module

Product Information 1.1: 2006/01/26

COBRA5485 Features:

- ColdFire MCF5485 Processor
- 200 MHz, 308 MIPS
- 32 MByte Flash (optional up to 128 MByte)
- 16 MByte SDRAM (optional up to 32 MByte)
- 2x 10/100 MB Ethernet
- Encryption Hardware (AES, 3DES, RNG ...)
- 4x SCI (UART)
- 2x CAN Interface
- QSPI with 4 Chip Selects
- I²C Interface
- Real Time Clock with Interrupt
- 32-Bit Processor Bus
- 32-Bit PCI Bus
- Selectable Boot Configuration
- dBUG and Linux OS Support
- Single 3.3 V Operating Voltage
- Compatible to COBRA5282



Original Size 58 x 97 mm

COBRA5485 Interfaces:

Standard I/O Interfaces

- Two Rows per 36 Pins (2.54 mm)
- All Ports and Pins are connected to the Standard I/O Interface

32-Bit Processor Bus Interface

- Two 40-Pin Fields (1.27 mm)
- Various Connector Options

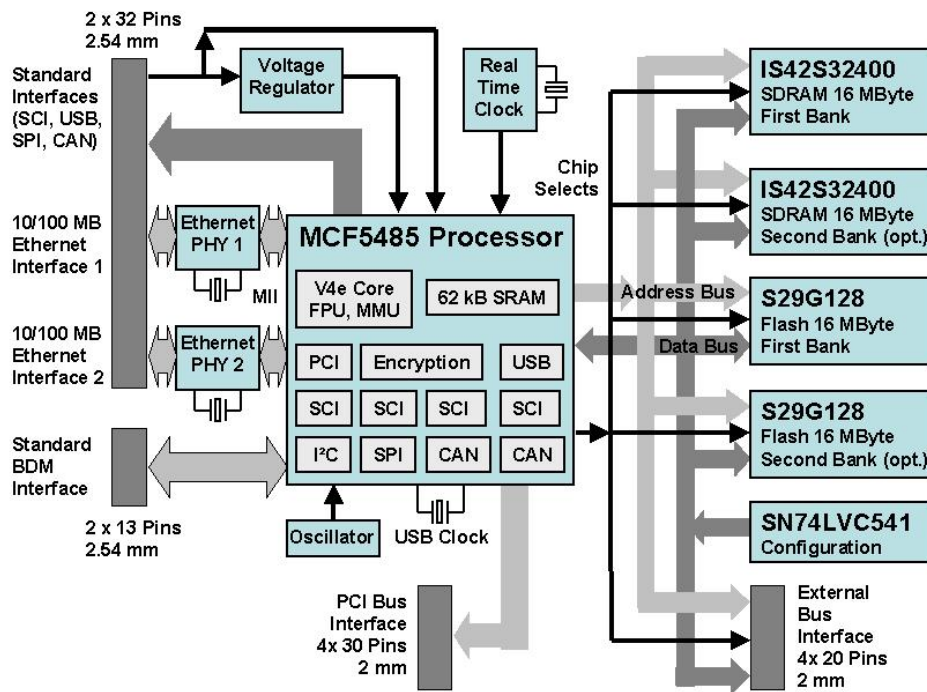
32-Bit PCI Bus Interface

Standard BDM Interface
(2x 13 Pins, 2.54 mm)

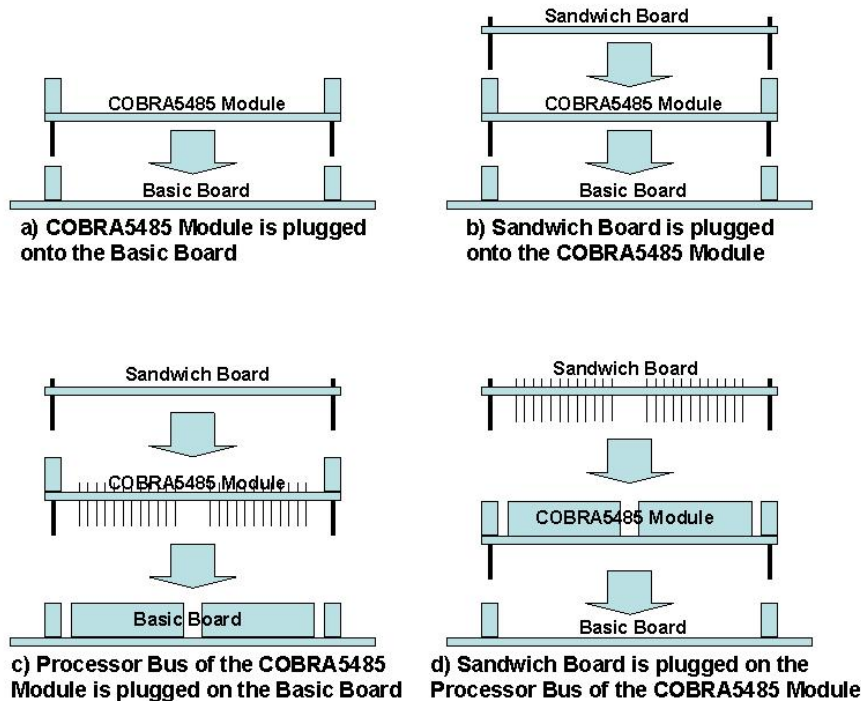
Typical Applications:

- Automation
- Industrial Control
- Measurement Equipment
- Data Logging
- Embedded Internet
- CAN to Ethernet Interface
- RS232 to Ethernet Interface
- RS485 to Ethernet Interface
- Education
- Training and Seminars
- Software Development

COBRA5485 Embedded Processor Module Block Diagram



Connection Options of the COBRA5485 Processor Module



Carrier Board for the COBRA5485 Processor Module



Size approximately 120mm x 110mm
(Two Ethernet connectors stuffed)

- Carrier Board Features:
- Connectors for the Standard I/O Interfaces of the COBRA5485 Processor Module
 - Two RJ45 Ethernet Interfaces
 - Two RS232 Interfaces with Driver
 - CAN Driver and Interface
 - Multi Media Card Interface
 - Interface connectors for SPI, I²C
 - Eight driven LEDs
 - Reset Switch
 - Switching Power Supply 6 - 12 V Input

Starter Kit for the COBRA5485 Processor Module



- The Starter Kit contains:
- COBRA5485 Embedded Processor Module
 - Carrier Board for the COBRA5485 Module
 - Documentation on CD

Additional CD with Linux distribution and tool chain for software development available as delivery option

© Copyright senTec Elektronik GmbH 2006. All rights reserved.



senTec Elektronik GmbH
Werner-von-Siemens-Str. 6
98693 Ilmenau, Germany
<http://www.sentec-elektronik.de>

Phone: +49 3677 462 486 0
Fax: +49 3677 462 486 6
Email: info@sentec-elektronik.de

senTec Elektronik is a member of the
Freescale Design Alliance Program.



Product status: product qualified and in production