

COBRA5272 Embedded Processor Module

Product Information 2.1: 2006/01/26

COBRA5272 Features:

The COBRA5272 board is a versatile single board computer module based on the MCF5272 ColdFire® microprocessor.

- ColdFire MCF5272 Processor
- 66 MHz Internal Clock
- 2 MByte Flash (optional up to 16 MByte)
- 16 MByte SDRAM (optional up to 64 MByte)
- 10/100 MB Ethernet Interface
- 2x SCI (UART)
- USB Interface
- QSPI with 4 Chip Selects
- 32-Bit Processor Bus
- Selectable Boot Configuration
- dBUG Debug Monitor
- µClinux Operating System
- 3.3V Operating Voltage



Original Size 80 x 100 mm

COBRA5272 Interfaces:

Standard I/O Interface

- Two Rows per 50 Pins (1.27 mm)
- All Processor Ports and Pins are connected to the Standard I/O Interface

32-Bit Processor Bus Interface

- Two Rows per 50 Pins (1.27 mm)
- Various Connector Options

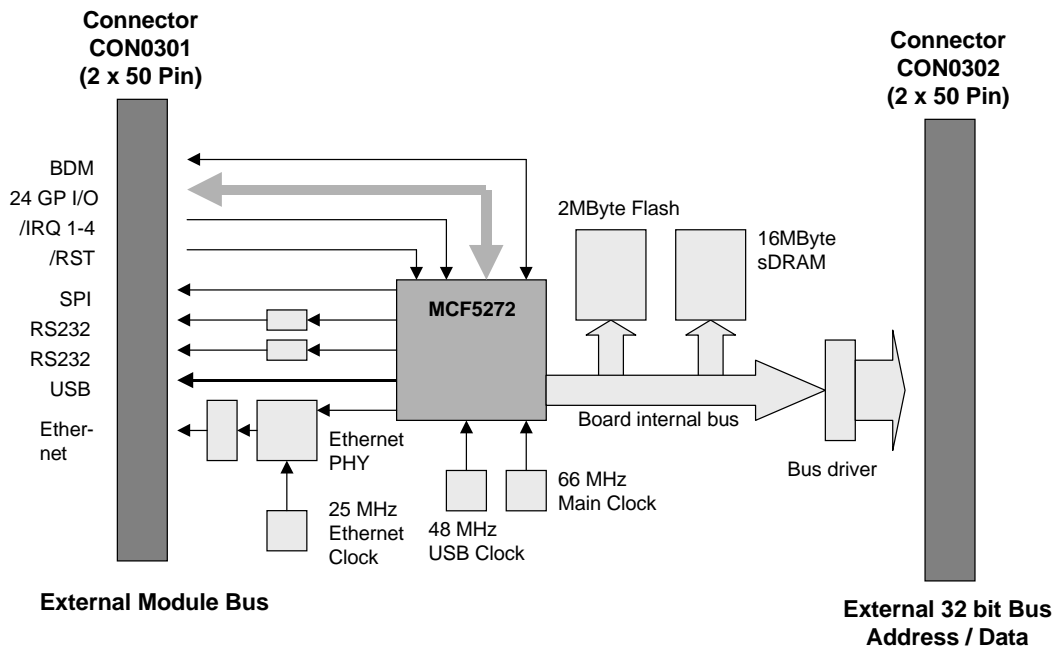
Standard BDM Interface

(2x 13 Pins, 2.54 mm)

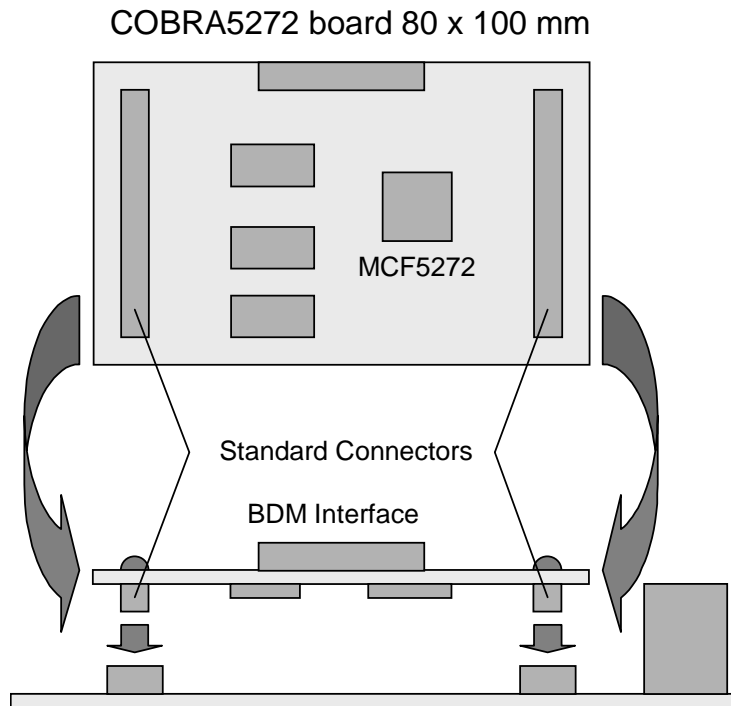
Typical Applications:

- Automation
- Industrial Control
- Measurement Equipment
- Data Logging
- Embedded Internet
- USB to Ethernet Interface
- RS232 to Ethernet Interface
- RS485 to Ethernet Interface
- Education
- Training and Seminars
- Software Development

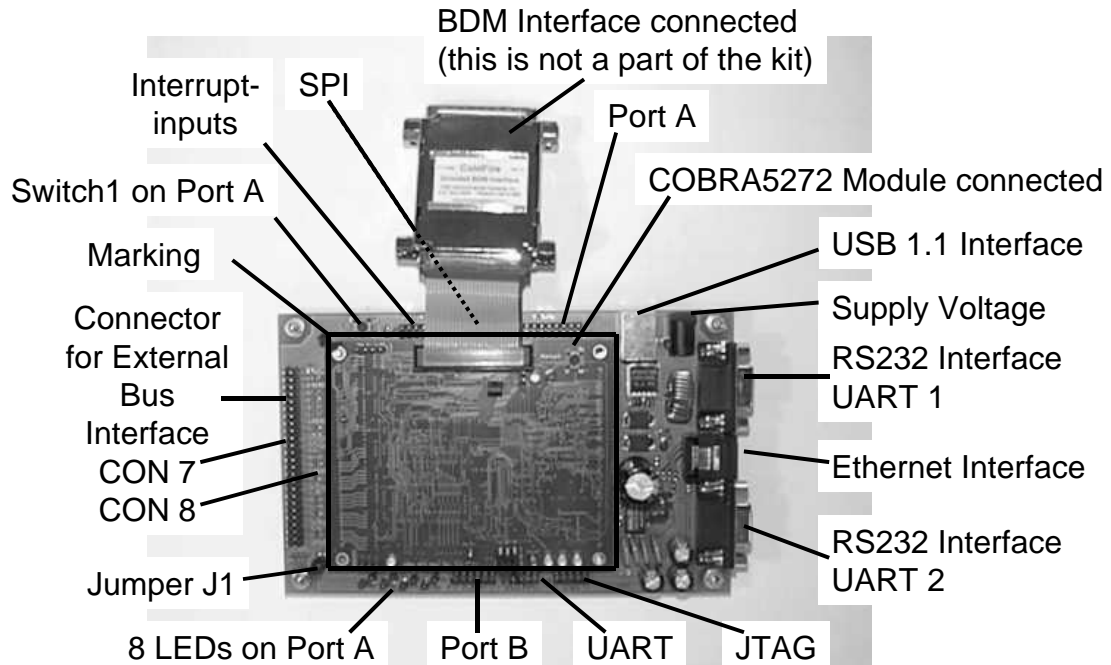
COBRA5272 Embedded Processor Module Block Diagram



Connection Options of the COBRA5272 Processor Module



Carrier Board for the COBRA5272 Processor Module

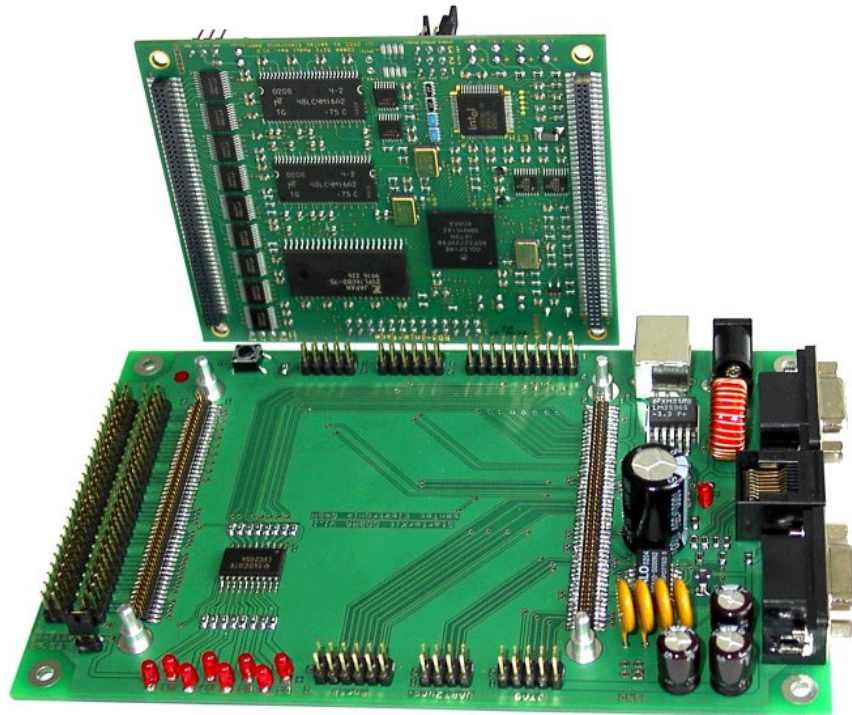


Size approximately 160mm x 100mm

Carrier Board Features:

- Connectors for the Standard I/O Interfaces of the COBRA5272 Processor Module
- RJ45 Ethernet Interface
- Two RS232 Interfaces with Driver
- USB Interface
- Interface connectors for SPI
- Eight driven LEDs
- Reset Switch
- Switching Power Supply 6 - 12 V Input

Starter Kit for the COBRA5272 Processor Module



- The Starter Kit contains:
- COBRA5272 Embedded Processor Module
 - Carrier Board for the COBRA5272 Module
 - Documentation on CD

Additional CD with μ Clinux distribution and tool chain for software development available as delivery option.

© Copyright senTec Elektronik GmbH 2006. All rights reserved.



senTec Elektronik GmbH
Werner-von-Siemens-Str. 6
98693 Ilmenau, Germany
<http://www.sentec-elektronik.de>

Phone: +49 3677 462 486 0
Fax: +49 3677 462 486 6
Email: info@sentec-elektronik.de

senTec Elektronik is a member of the
Freescale Design Alliance Program.



Product status: product qualified and in production